



LIGHT TOOLS WITH HIGH PRECISION

 **Screwdriving technology**

 **Workspace furniture**

 **Lean & Ergonomics**



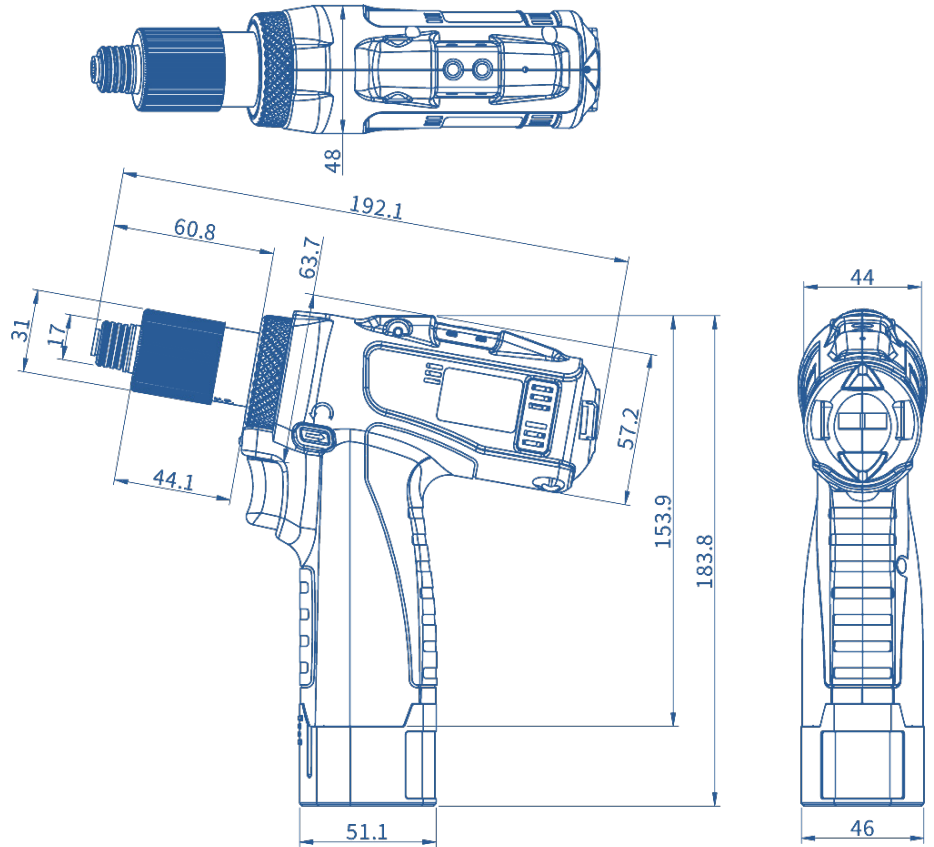
 **SOVELLA NEDERLAND** 

HANDY AUTOMATIC INDUSTRIAL CORDLESS BRUSHLESS LOW TORQUE

Pistol Series



External Dimension



Accessories

- 1 KC-28A - Included with locker Torque Locker
- 2 ID50 Charge Station
- 3 SKC-LB1030S Rechargeable Batteries

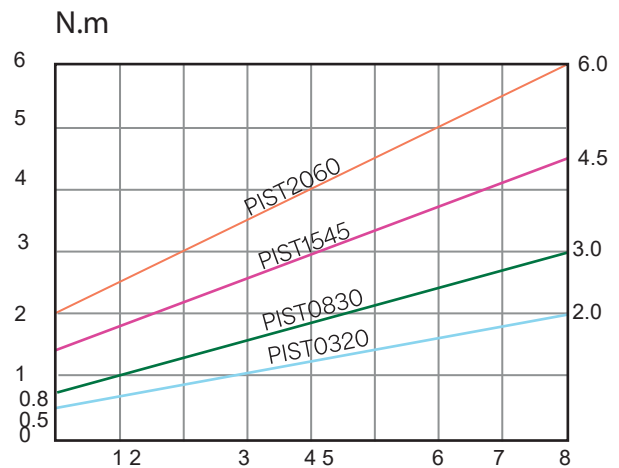


Product Features

- Compact weight ergonomic design.
- Cleaner quieter maintenance free brushless motor.
- Most ideal for areas where cables and hoses impede handling flexibility i.e. car interior electrical cabinet interiors. trains.
- 10.8V Lithium-ion battery.
- Torque locker - avoids changing the operator without permission

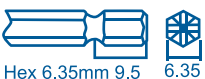
Specifications

Torque Range Reference Chart



Model	Input Voltage	Torque (N.m)		Repeatable Torque Accuracy(%)	Free Speed (r.p.m)		Weight	Size	Applicable Battery	Applicable Charger	Bit Type
		Hard Joint	Soft Joint		HI	LO					
PIST0320	10.8V	0.5-2.0	0.5~1.6	+8%	2700	1900	0.7	189X157	SKC-LB1030S	ID50	B9.5
PIST0830	10.8V	0.8-3.0	0.8~2.4	+8%	1400	1000	0.7	189X157	SKC-LB1030S	ID50	B9.5
PIST1545	10.8V	1.5-4.5	1.5~3.6	+8%	800	550	0.7	189X157	SKC-LB1030S	ID50	B9.5
PIST2060	10.8V	2.0-6.0	2.0~4.8	+8%	650	450	0.7	189X157	SKC-LB1030S	ID50	B9.5

B 9.5

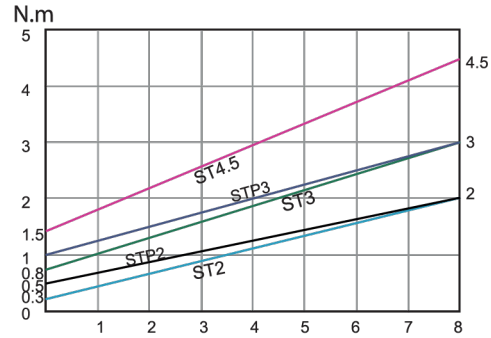


AUTO SHUT OFF MANUAL SCREWDRIVER

ST & STP Series



Torque Range Reference Chart



Product Features

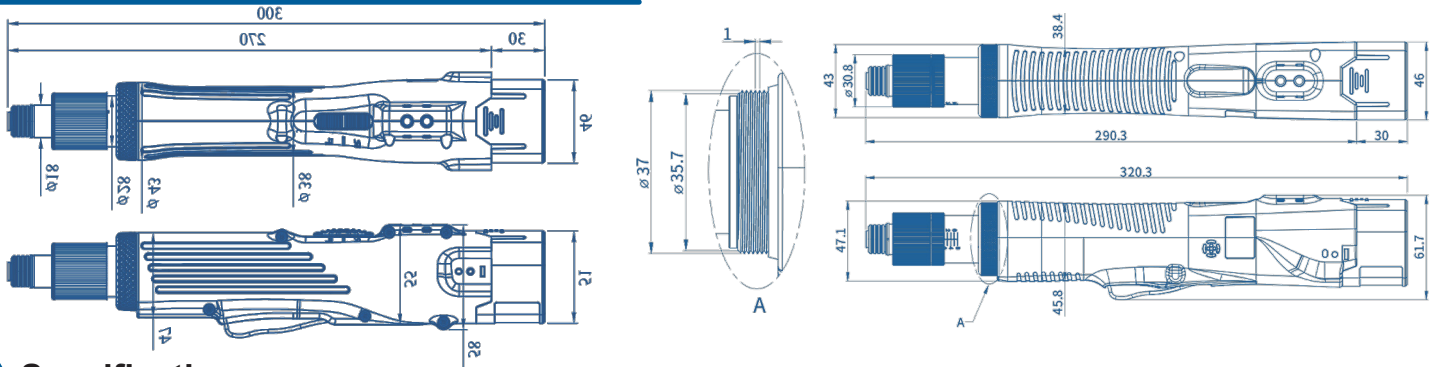
- Unique compact inline design
- LED illumination to light up dark areas
- Status LED to indicate users tightening results
- 1 lifespan long-lasting contactless micro switch trigger
- The durable auto shut off clutch guarantee 2 million tightening
- Unique compact straight design makes it the perfect tool for standalone station
- The sophisticated auto shut off clutch provides outstanding +8% torque accuracy
- Adopted maintenance-free brushless motor for clean, quiet and accurate operation
- A fully charged 10.8V lithium-ion battery can tighten up to 4,000 screws
- Auto cut off when low battery to avoid insufficient torque applied to screws
- 40 minutes quick charge
- Torque locker - avoids changing the operator without permission

Accessories

- 1 90 Degree Attachment KL-1S (Applicable to AS Series)
- 2 ID50 Charge Station
- 3 SKC-LB1030S Rechargeable Batteries
- 4 KC-28A - Included with Tool Torque Locker



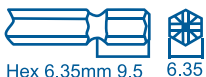
External Dimension



Specifications

Model	Input Voltage	Torque (N.m)		Repeatable Torque Accuracy(%)	Free Speed		Size Weight		Applicable Battery	Applicable ChargeStation	Bit Type
		Hard Joint	Soft Joint		HI	LO	LxH(mm)				
ST2	10.8V	0.3~2.0	0.3~0.6	+8%	1200	850	0.7	270X60	SKC-LB1030S	ID50	B9.5
ST3	10.8V	0.8~3.0		+8%	1200	850	0.7	270X60	SKC-LB1030S	ID50	B9.5
ST4,5	10.8V	1.5~4.5	1.5~3.6	+8%	700	500	0.7	270X60	SKC-LB1030S	ID50	B9.5
STP2	10.8V	0.5~2	0.5~1.6	+8%	1200	-	0.72	290X62	SKC-LB1030S	ID50	B9.5
STP3	10.8V	1~3	1~2.4	+8%	1200	-	0.72	290X62	SKC-LB1030S	ID50	B9.5

B 9.5



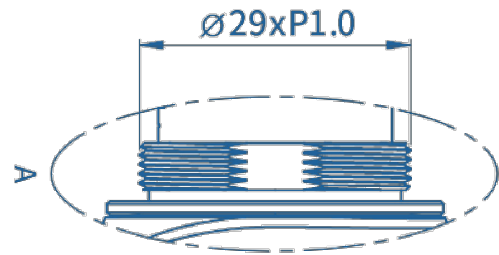
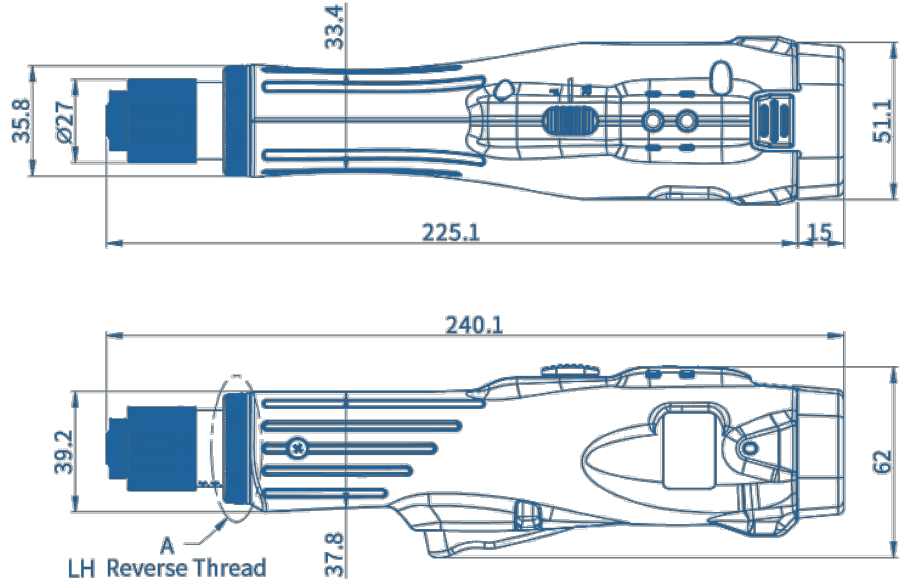
Hex 6.35mm 9.5 6.35

AUTO SHUT OFF MANUAL SCREWDRIVER

ST Compact series



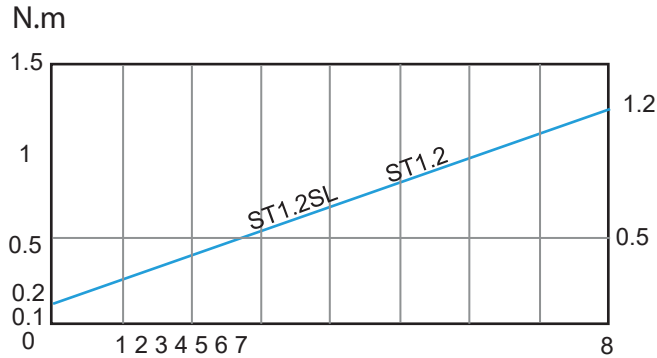
External Dimension



Product Features

- Compact light weight ergonomic design.
- Cleaner, quieter maintenance free brushless motor
- Most ideal for areas where cables and hoses impede handling flexibility i.e. car interior electrical cabinet interiors. trains.
- 7.2V Lithium-ion battery.
- Torque locker - avoids changing the operator without permission

Torque Range Reference Chart



Accessories

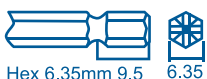
- 1 SKC-LB0730S Rechargeable Batteries
- 2 ID25 Charge Station
- 3 KC-28A - Included with locker Torque Locker



Specifications

Model	Input Voltage	Torque (N.m)		Repeatability Torque Accuracy (%)	Free Speed		Weight	Size	Applicable Battery	Applicable Charger	Bit Type
		Hard Joint	Soft Joint		HI	LO					
ST1.2	7.2V	0.2~1.2	0.2~0.96	+/-8%	1000	700	0.53	225X62	SKC-LB0730S	ID25	B9.5
ST1.2SL	7.2V	0.2~1.2	0.2~0.96	+/-8%	500	350	0.53	225X62	SKC-LB0730S	ID25	B9.5

B 9.5



Hex 6.35mm 9.5 6.35